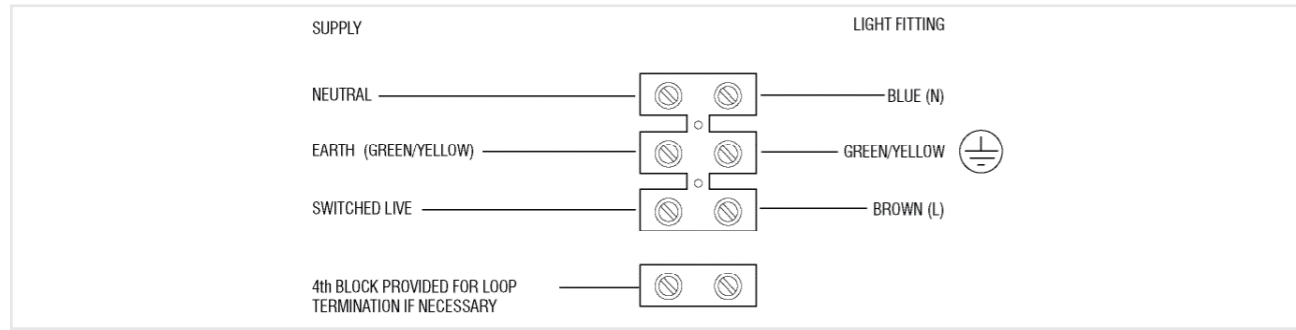


## Wiring

Having correctly identified the wiring from your existing light fitting, pull the wire through the hole and connect to the connection block inside the product in the following way:

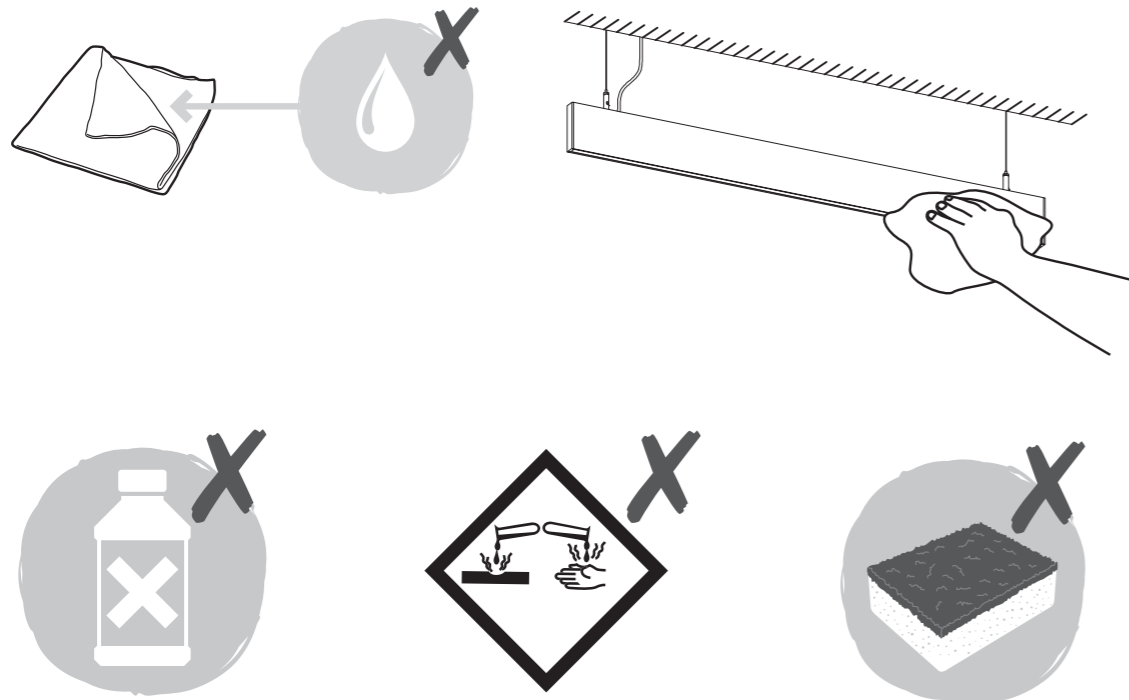


## Check that .....

- You have correctly identified the wires.
- The connections are tight.
- No loose strands have been left out of the connection block.
- When completed, ensure that there are no bare or loose strands of wire exposed, and cover all exposed areas of the connection block with 2 layers of insulation tape.

## Care and Safety

- We recommend cleaning with a soft dry cloth. Do not use solvents or abrasive cleaners as these could damage the finish.
- Always disconnect the product from mains at least 10 minutes allowing to cool down before any maintenance or adjustment.



## Instruction leaflet

# Kingsley Pendant

78978



CE

saxby  
lighting

Thank you for purchasing this light fitting. Please read the instructions carefully before use to ensure safe and satisfactory operation of this product. Please retain these instructions for future reference.

## Warning

Please read these instructions carefully before commencing any work.

This unit must be fitted by a competent and qualified electrician.

Install in accordance with IEE Wiring regulations and current Building Regulations.

Check the pack and make sure you have all of the parts listed.

To prevent electrocution switch off at mains supply before installing or maintaining this fitting.

Ensure other persons cannot restore the electrical supply without your knowledge.

If replacing an existing fitting, make a careful note of the connections.

If replacing an existing fitting, make a careful note of the connections.




This light fitting should be connected to a fused circuit.

We recommend that you use H05RN-F specification cable (not supplied) which is an outdoor grade, rubber sheathed cable. The mains supply cable must have a minimum cross sectional area of 1.0mm<sup>2</sup>

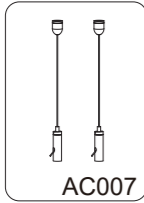

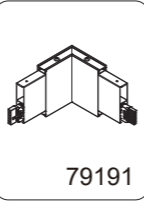
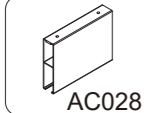

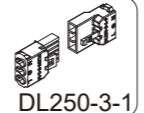
Never put anything on the product or hang anything on any part of this product.

Never use the terminal cables to bear the product weight.

## Technical data

Supply Voltage:	240 V~, 50 Hz
Bulb Type:	Max. 40 W SMD 2835 4000K
	The light source of this luminaire is not replaceable; when the light source reaches its end of life the whole luminaire shall be replaced.
	Conformity with all relevant EC Directive requirements.
	Waste electrical products should not be disposed of with household waste. Please recycle where facilities exist. Check with your Local Authority or local store for recycling advice.
	Class I product, must be connected to earth.
<b>IP40</b>	Indoor

## Accessories

	adjustable hanging system AC007		round canopy with 1.5M white power cable AC004		connector (not provide) 79191
	linkable parts AC028		LED-048B end cap AC029		connector DL250-3-1

## Installation

Existing fittings must be completely removed before installation of a new product. Before removing the existing fitting, carefully note the position of each set of wires.

- Note that the power needs to be isolated/switched off at the fuse board.
- Ensure the ceiling is capable of holding the weight of the track and products. Take care to avoid damaging any concealed wiring and pipes. The correct fixings should be used for brick, cavity walls or plasterboard.
- There are two installation options to choose from. (A/B) **See Fig 1.**  
"B" type installation method: Max number of interconnect with same model 10pcs
- The "79191" accessory is available for corners. **See Fig 2.**

Model	Wattage	Max. linkable qty	L(mm)
78978	40W	10pcs	1347

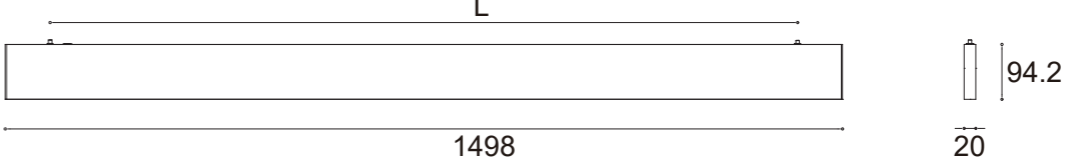


Fig 1.

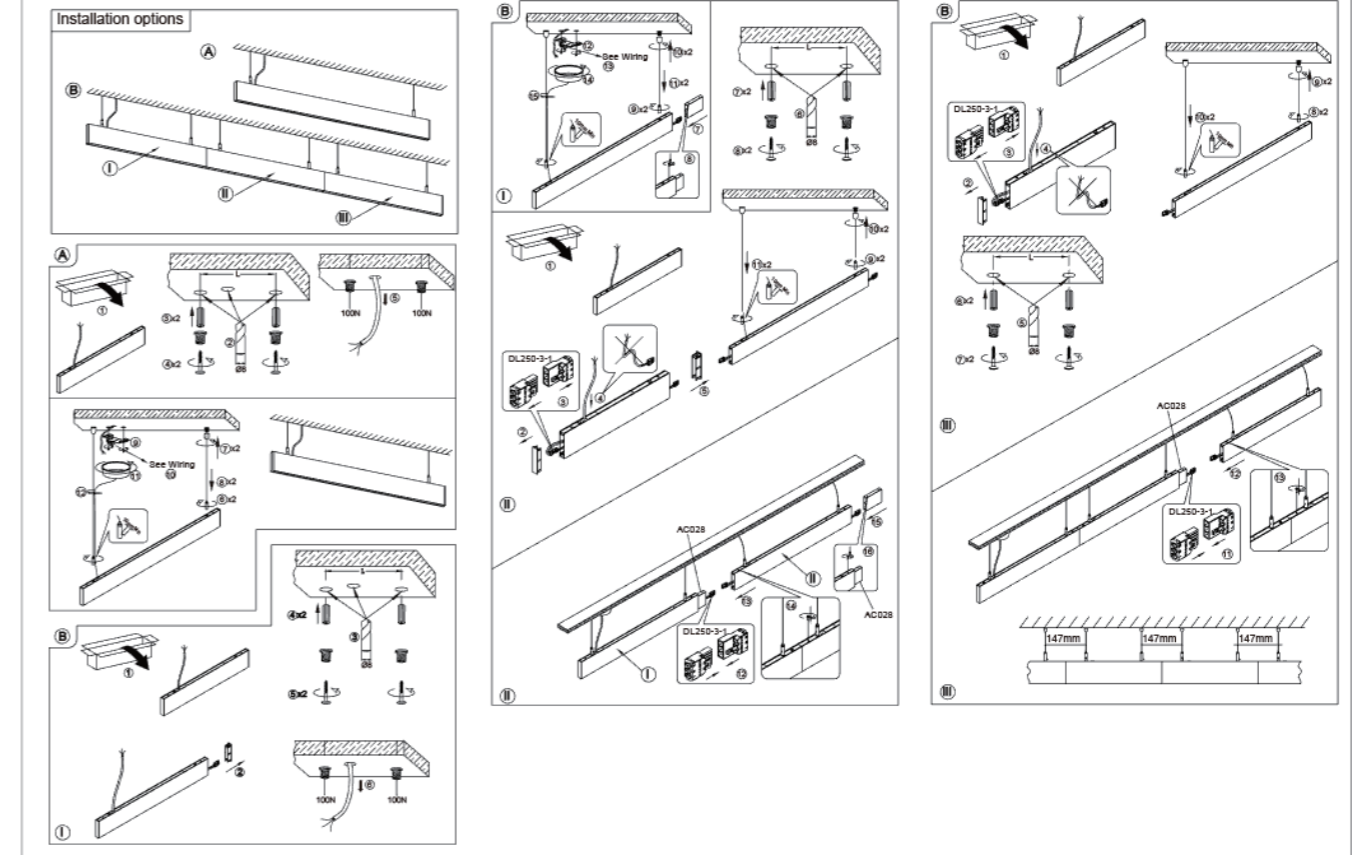


Fig 2. Easy fasten buckle, corner connection.

